

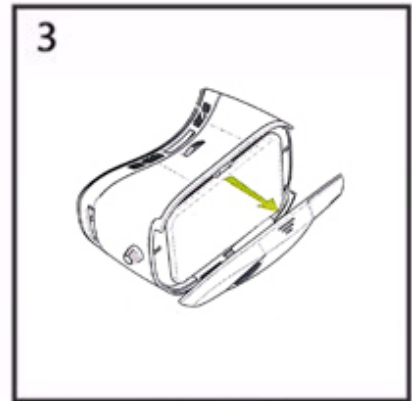
How it works



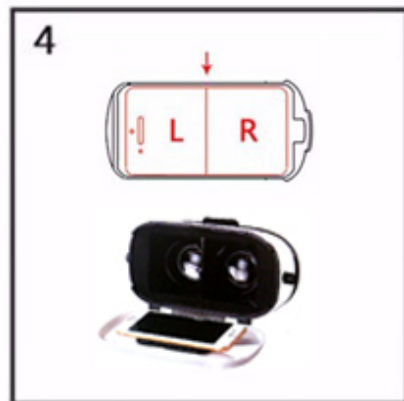
On your smartphone download "VR" apps from Google Play Store, App store or iVROX HUB



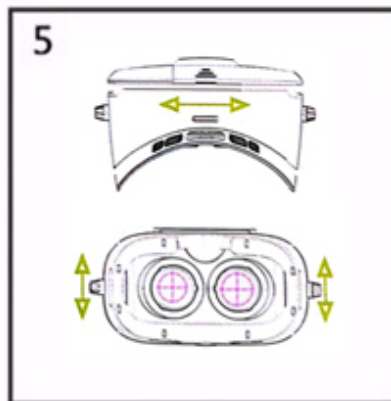
Run your VR app or game on your smartphone



Open the front cover of your iVROX VR Headset



Place your smartphone inside your iVROX VR making sure to align the centre line of the smartphone screen to the VR headset midpoint Mark



Close the front cover and adjust the lens until the image becomes clearest



Enjoy watching 3D movies, play virtual reality games or travelling around the world with iVROX!